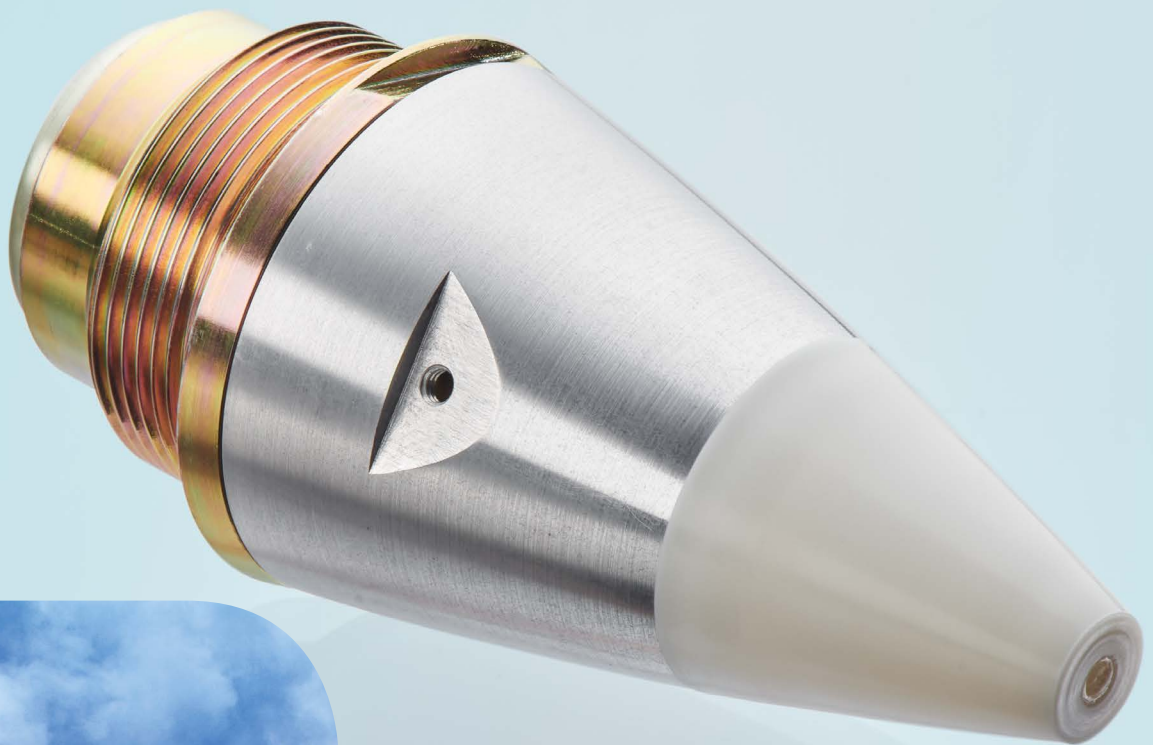


FACE
Electronic Time
Artillery Fuze



for smoke, illuminating and SMART sensor-fuzed
ammunition of calibres 105 mm to 203 mm

FACE

The FACE fuze is an electronic time fuze designed for use with artillery weapon systems with calibres ranging from 105 mm to 203 mm; in particular with modern 155 mm howitzers fitted with 52 calibre gun barrels and automatic ammunition loading systems.

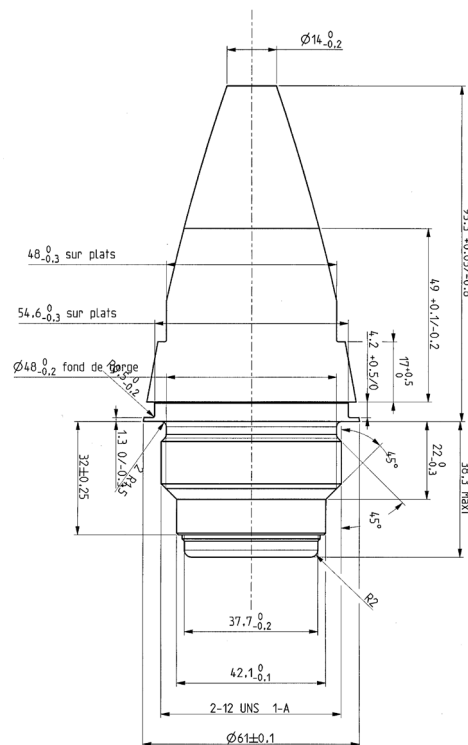
The fuze has been designed specifically for artillery ammunition fitted with expulsion charges, including:

- SMART sensor-fuzed ammunition
- Illuminating projectiles
- Smoke projectiles

The fuze is programmed to a preset time, and functions at a pre-determined point along the trajectory, igniting the expulsion charge, which expels the payload from the projectile body. The fuze is inductively set by fuze setters, which are compliant with STANAG 4369 / AOP-22. Each fuze can be programmed and checked an unlimited number of times before firing.

The FACE fuze has been designed to satisfy the following modern artillery requirements:

- NATO interoperability
- High reliability
- High accuracy
- Unlimited programming and checking capabilities
- Safety throughout the fuze life



Technical Data FACE

Maximum time of flight	199.9 s
Timer setting	by 0.1 s steps
Operational temperature range	-40°C to +63°C
Storage temperature range	-54°C to +71°C
Time accuracy	$1 \cdot 10^{-3}$ ms (minimum 50 ms)
Muzzle safety distance (by mechanical S&A unit)	200 m
Electronic overhead safety firing circuit designed to activate	2 s before fuze function
Dimensions	STANAG 2916
Weight	600 ± 50 g
Shelf life	> 15 years
Compliance with STANAG 4157; STANAG 4187; STANAG 4369	

JUNGHANS Microtec GmbH
Unterbergenweg 10
78655 Dunningen-Seedorf
Germany
Phone +49 7402 181-0
Fax +49 7402 181-400

JUNGHANS T2M SAS
Route d'Ardon
45240 La Ferté Saint Aubin
France
Phone +33 2 3851-6422
Fax +33 2 3851-6835

www.junghans-defence.com
info@junghans-defence.com

A Diehl and Thales company