

**FRAPPE**  
**Multi-Option**  
**Artillery Fuze**



for HE rounds from 105 mm to 203 mm artillery systems

## FRAPPE

The FRAPPE fuze is a multi-option fuze designed for use on 105 to 203 calibre gun systems, to optimize the effectiveness of HE artillery rounds.

The FRAPPE fuze is particularly designed for use with any modern 155 mm field artillery howitzer, fitted with 52 calibre gun and automatic loading system. The fuze fully complies with IM requirements.

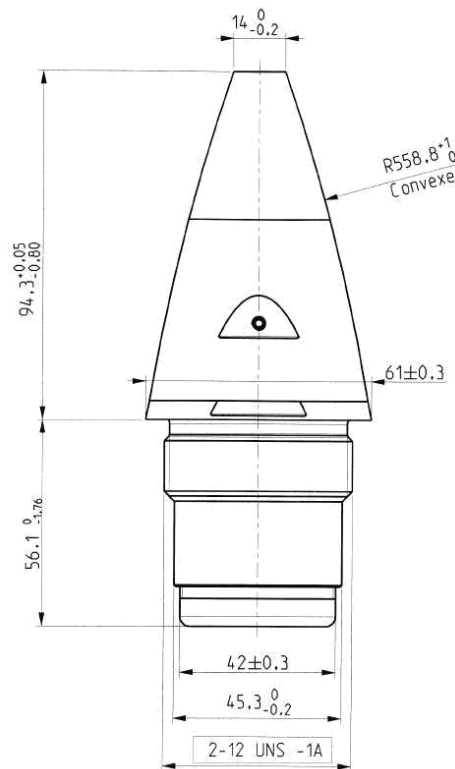
It provides proximity, point detonating, post-impact delay and time functions. The various operational modes and related data can be selected by the user.

The fuze is inductively set by fuze setters compliant with STANAG 4369/AOP 22.

The FRAPPE fuze provides enhanced fuzing performances to optimize strike terminal effects.

A radar proximity sensor provides superior HoB measurement and affords high resistance to counter-measures.

The use of a reinforced body structure ensures a highly effective post-impact delay function.



### Technical Data FRAPPE

Muzzle safety	$\geq 200$ m (155 mm)
El. Overhead safety	T* -3 sec
Required setback for arming	$> 1,600$ g
Max. setback	$< 26,000$ g
Required rotation for arming	$\geq 3,000$ rpm
Max. rotation	$< 25,000$ rpm
Storage temperature range	$-54$ °C - $+71$ °C
Operational temperature range	$-40$ °C - $+63$ °C
Dimensions	STANAG 2916
Weight	$730 \pm 60$ g
Shelf life	15 years

Compliance with MIL STD 1316C/STANAG 4187, MIL STD 331B/STANAG 4157, STANAG 4369

JUNGHANS Microtec GmbH  
 Unterbergenweg 10  
 78655 Dunningen-Seedorf  
 Germany  
 Phone +49 7402 181-0  
 Fax +49 7402 181-400

JUNGHANS T2M SAS  
 Route d'Ardon  
 45240 La Ferté Saint Aubin  
 France  
 Phone +33 2 3851-6422  
 Fax +33 2 3851-6835

www.junghans-defence.com  
 info@junghans-defence.com

A Diehl and Thales company