

**DM 111 A4/L 127 A4**  
**Point-Detonating**  
**Mortar Fuze**



for HE, TP and smoke ammunition

## DM 111 A4 / L 127 A4

The impact fuze DM 111 A4 / L 127 A4 has a highly sensitive impact device and can be set to two different modes by a setting screw:

- superquick action (SQ)
- delay action (D)

It achieves a proven reliability better than 99.5 % and can be used for fin-stabilized mortar bombs of calibres 51 mm to 120 mm.

The safety devices of the DM 111 A4 / L 127 A4 comprise of a safety pin and a launch pulse safety system. The safety pin engages in the pulse safety system. This locks the rotor with the two detonators and prevents the escapement assembly from running down. Before firing, the safety pin must be removed.

Upon firing, the pulse safety is released. The in-line movement of the rotor is delayed by a delay mechanism thus ensuring the safe-arming distance. The rotor then moves to the position set before firing (D or SQ = delay action or superquick action).

The highly sensitive impact mechanism initiates the respective firing train (with or without a pyrotechnic delay) upon striking a target.

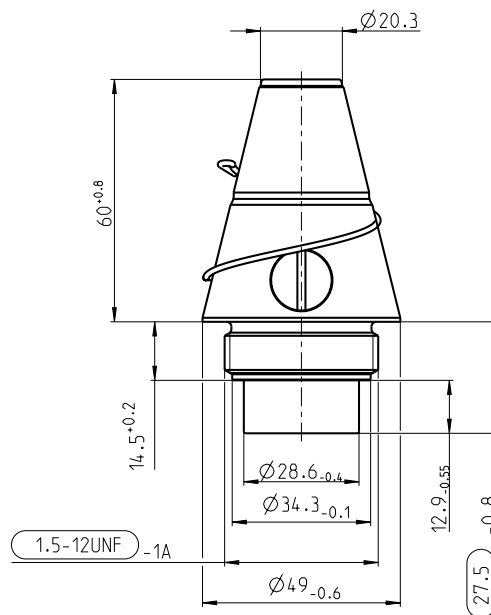
The DM 111 A4 / L 127 A4 can be customized if required.

Frequent modifications include:

- labelling to customer requirements
- delivery of the fuze without delay function
- a different booster charge
- different outer dimensions

As an alternative to the high sensitivity customers can select a variant with a standard sensitivity.

This variant is designated DM 111 A5.



JUNGHANS Microtec GmbH  
 Unterbergenweg 10  
 78655 Dunningen-Seedorf  
 Germany  
 Phone +49 7402 181-0  
 Fax +49 7402 181-400

JUNGHANS T2M SAS  
 Route d'Ardon  
 45240 La Ferté Saint Aubin  
 France  
 Phone +33 2 3851-6422  
 Fax +33 2 3851-6835

www.junghans-defence.com  
 info@junghans-defence.com

A Diehl and Thales company

### Technical Data DM 111 A4 / L 127 A4

Muzzle safety	$\geq 40 \text{ m } (\geq 0,8 \text{ s})$
Delay action (D) time	$0.06 \pm 0.03 \text{ sec}$
Required setback for arming	$\geq 650 \text{ g}$
Max. setback	$< 20.000 \text{ g}$
Storage temperature range	$-54^{\circ}\text{C to } +71^{\circ}\text{C}$
Operational temperature range	$-46^{\circ}\text{C to } +63^{\circ}\text{C}$
Dimensions	STANAG 2916
Weight	208 g
Shelf life	10 years
Compliance with MIL-STD 331C / STANAG 4157, AOP 20, MIL-STD 1316C / STANAG 4187	