

DM93/M776
Mechanical Time Super Quick (MTSQ)
Mortar Fuze



for illuminating and smoke ammunition

MTSQ DM93/M776

The mechanical time and super quick (MTSQ) fuze DM93 (M776) is a mechanical time fuze with an additional impact mode. It has become the highly reliable and world-wide proven solution for mortar illuminating and smoke bombs. The fuze can be used for non-spinning mortar bombs of calibres 51 mm to 120 mm.

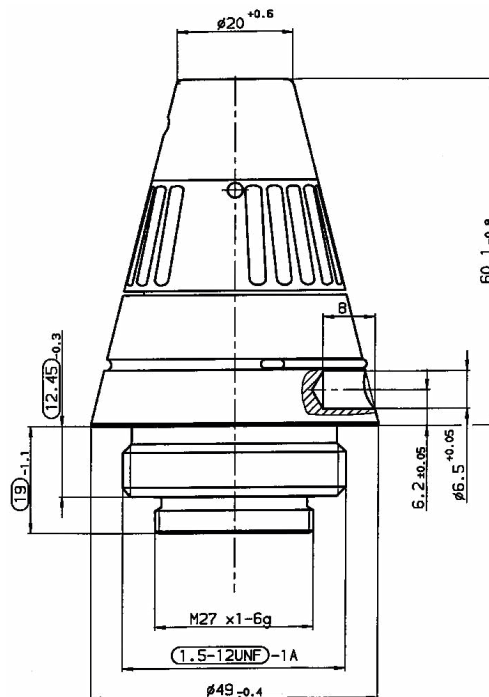
The safety devices of the DM93 (M776) fuze comprise of a safety pin and a launch pulse safety system. The safety pin engages in the pulse safety system. The pulse safety system and a safety shaft lock the rotor with the detonator in the safe position. The pulse safety system prevents the delay mechanism from running down.

Before firing, the time must be set and the safety pin must be removed.

Upon firing, the pulse safety mechanism is released. The in-line movement of the rotor is delayed by a delay mechanism and the safety shaft ensuring the safe-arming distance. The rotor then turns an escapement mechanism to the armed position and the firing train is in-line. On time set (zero setting) the fuze will react on impact.

Options:

- Extending the setting time to 67 s
- Scale in increments of 0.5 s
- Scale with black layout
- Marking according to customer requirements
- Using a 5 g expelling charge
- Delivery without impact device (MT- fuze)
- Handsetting
- Provided with different threads or with an adapter ring for fitting the fuze to a wide variety of ammunition types



Technical Data DM93 / M776

| | |
|-------------------------------|--|
| Muzzle safety | ≥ 40 m ($\geq 0,8$ s) |
| Delay action (D) time | 6 to 54s (67s) |
| Required setback for arming | ≥ 650 g |
| Max. setback | < 20.000 g |
| Storage temperature range | -54°C to $+71^{\circ}\text{C}$ |
| Operational temperature range | -46°C to $+63^{\circ}\text{C}$ |
| Dimensions | STANAG 2916 |
| Weight | 225 g |
| Shelf life | 10 years |

Compliance with MIL-STD 331C / STANAG 4157, AOP20, MILD-STD 3116C / STANAG 4187

JUNGHANS Microtec GmbH
 Unterbergenweg 10
 78655 Dunningen-Seedorf
 Germany
 Phone +49 7402 181-0
 Fax +49 7402 181-400

JUNGHANS T2M SAS
 Route d'Ardon
 45240 La Ferté Saint Aubin
 France
 Phone +33 2 3851-6422
 Fax +33 2 3851-6835

www.junghans-defence.com
 info@junghans-defence.com

A Diehl and Thales company